



Remote Visualisation Demonstration

Mr. Srikanth Nagella
(srikanth.nagella@stfc.ac.uk)

Dr. Lakshmi Sastry
(lakshmi.sastry@stfc.ac.uk)

eScience Centre

STFC



Agenda

- Background
- Hardware
- Software
- Demos
 - IRIS Explorer
 - Stent Tomography Visualisation
 - Heart Model Visualisation



Background

- What is the problem?
- What is a Visualisation Cluster?
- Challenges for Visualisation Cluster.

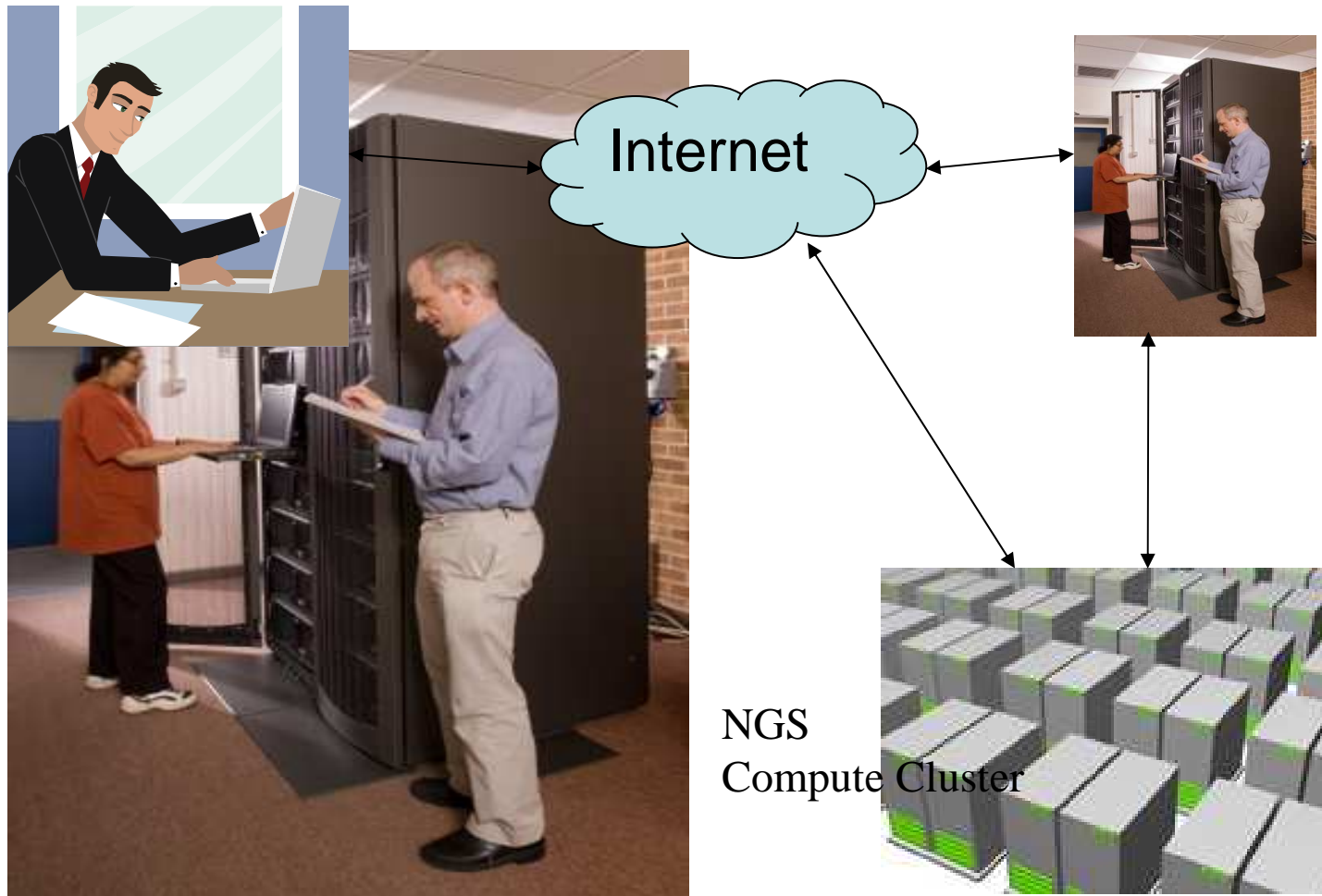


Problem

- Visualising large datasets.
- High resolution display.
- Real-time Visualisation.



What is Visualisation Cluster?





Challenges for Visualisation Clusters?

- Seamless access to applications and utilising existing security infrastructure.
- Developing new visualisation algorithms to work in parallel architecture.



Hardware

- 17 Node Graphics Cluster
- 3x2 Display Wall
- Stereo Monitor
- Rumble Pad and Wii Remote
- <http://sct.esc.rl.ac.uk/viscluster/index.html>



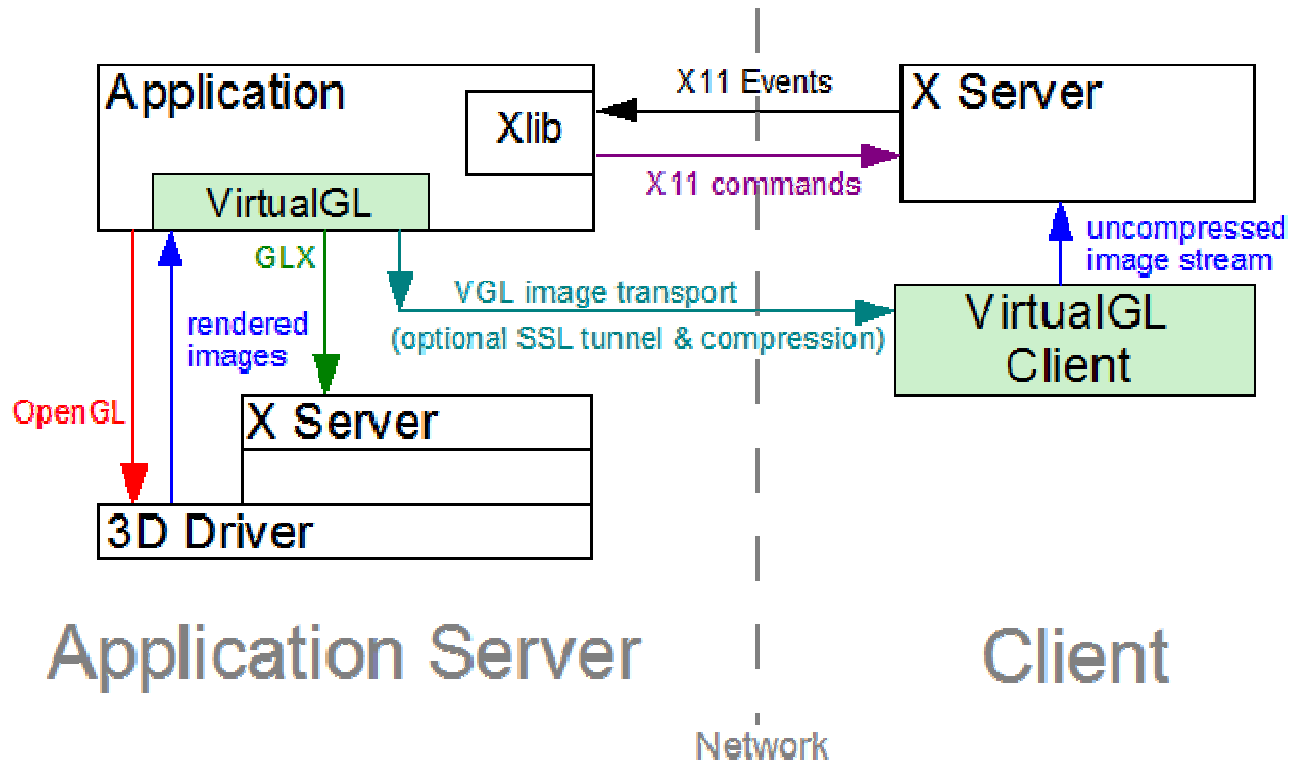


Software

- IRIS Explorer
- Paraview
- Visit
- IDL
- Chromium & Raptor
- Visualisation Toolkit (VTK)



VirtualGL





Demo Setup

- Instructions in browser



Demo: Stent Tomography Visualisation

